



ENERGIZE YOUR LIFESTYLE

LX04 (EEC L1e-B)



COC



Color

Electric Power Patras
Νέα Εθνική Οδός Πατρών - Αθηνών 74
Τηλ. 2610-490080, 6980238174
Service & Ανταλλακτικά





ENERGIZE YOUR LIFESTYLE

Specifications

MODEL

LX04 (EEC L1e-B)

DIMENSION (L*W*H)

1700*700*1050MM

WHEELBASE

1230MM

MOTOR

1.44 KW **BOSCH** MOTOR

BATTERY

2* 48V26AH (1,248WH) LITHIUM BATTERY (PORTABLE)

TYRE SIZE

80/100-10" TUBELESS

BRAKE

FRONT & REAR DISC BRAKE

MAX.SPEED

45 KM/H

MAX.RANGE

75 - 150 KM

MAX.LOADING

150 KG

SLOPE HILL-ABILITY

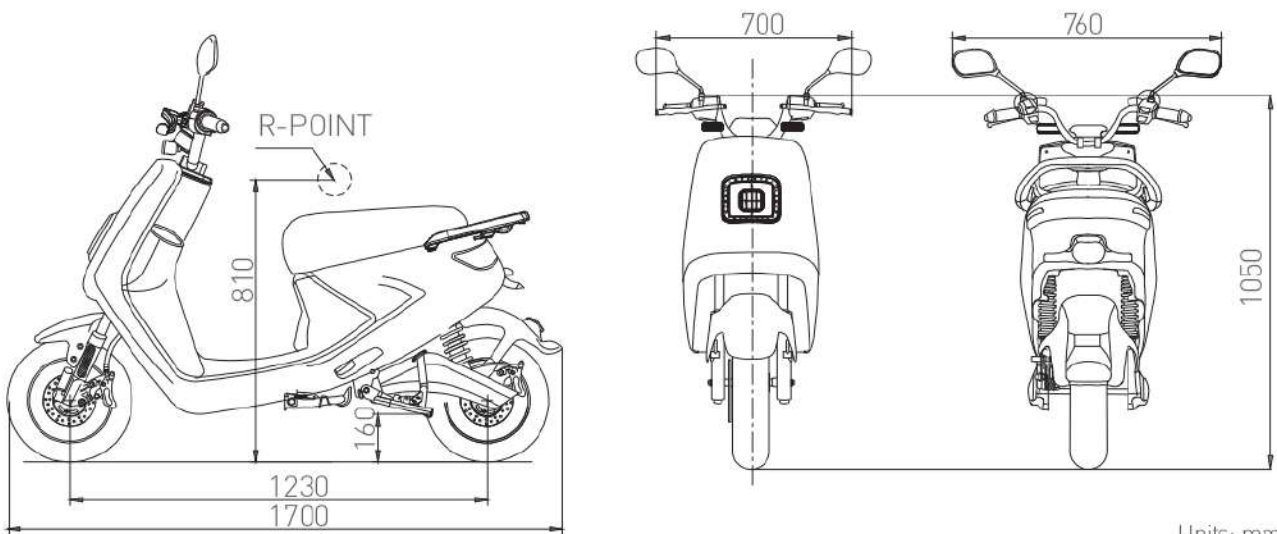
12° (24%)

PACKING SIZE

1730*565*1245MM

CONTAINER LOADING

10PCS/20'GP; 54PCS/40'HQ;



Units: mm

LX04 (EEC L1e-B)