



ENERGIZE YOUR LIFESTYLE

**LX02 (EEC L1e-B)**



**COC**



Color

**Electric Power Patras**  
Νέα Εθνική Οδός Πατρών - Αθηνών 74  
Τηλ. 2610-490080, 6980238174  
Service & Ανταλλακτικά





ENERGIZE YOUR LIFESTYLE

## Specifications

### MODEL

**LX02 (EEC L1e-B)**

DIMENSION (L\*W\*H)

1740\*680\*1090MM

WHEELBASE

1240MM

MOTOR

2.05KW **BOSCH** MOTOR

BATTERY

2\*60V26AH (1,560WH) LITHIUM BATTERY (PORTABLE)

TYRE SIZE

3.0-10" TUBELESS

BRAKE

FRONT & REAR DISC BRAKE

MAX.SPEED

45 KM/H

MAX.RANGE

75 - 150 KM

MAX.LOADING

150 KG

SLOPE HILL-ABILITY

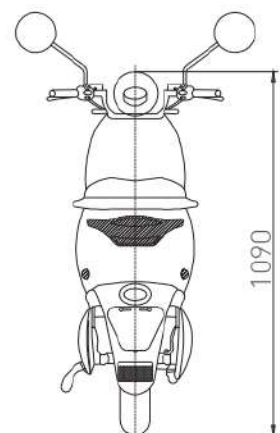
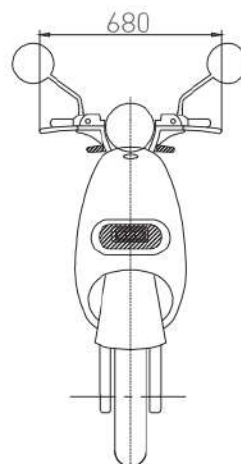
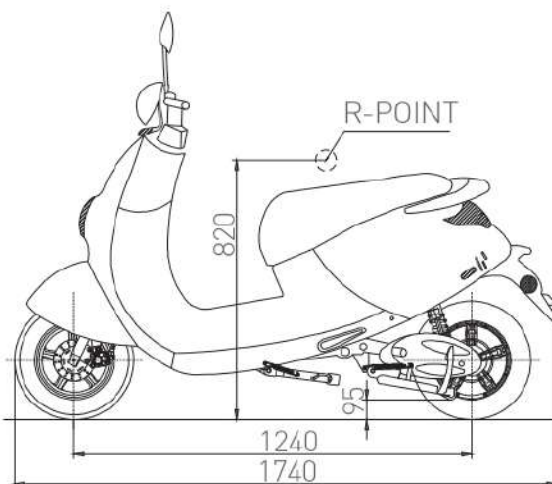
13° (25%)

PACKING SIZE

1750 X 575 X 1205 MM

CONTAINER LOADING

10 PCS/20'GP; 52 PCS/40'HQ



Units: mm

LX02 (EEC L1e-B)